

PRODUCT NAME

Triangulated gates

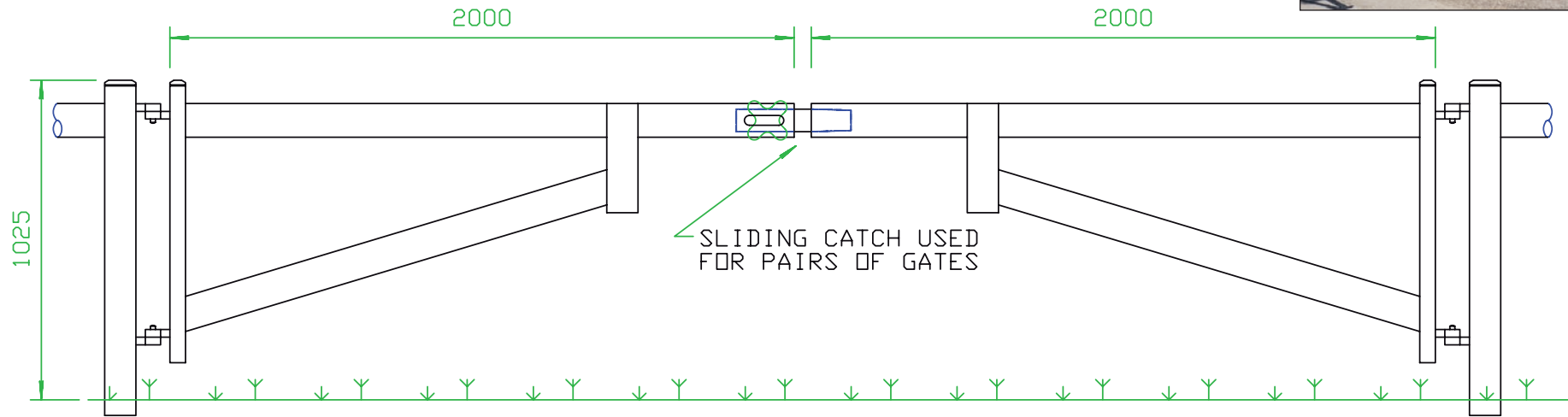
Pair of 2m gates shown for running rail system

SIZE
Posts 150 x 100, Rails 108 x 50

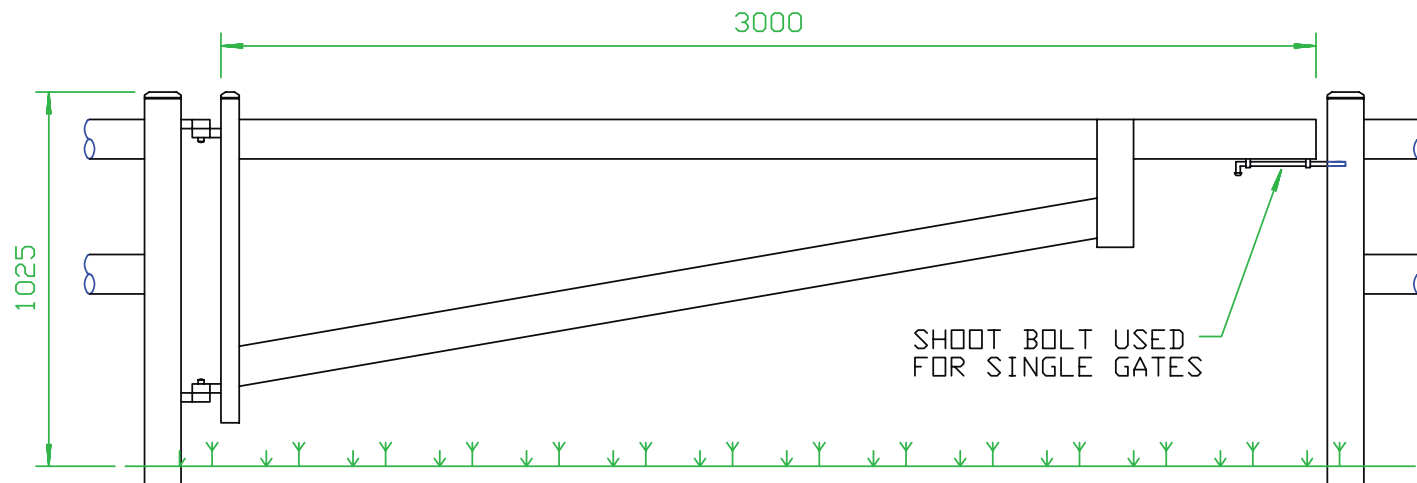
PART NO.
G6

PAGE NO.
56

© PROTECTED BY PATENT
Dec 2002 G.B.



SLIDING CATCH USED FOR PAIRS OF GATES



SHOOT BOLT USED FOR SINGLE GATES

MAXIMUM LENGTH OF GATE 3 METRES (AVAILABLE TO SYSTEM REQUIREMENTS). EXAMPLE SHOWN FOR P7 (PR950) FENCE SYSTEM