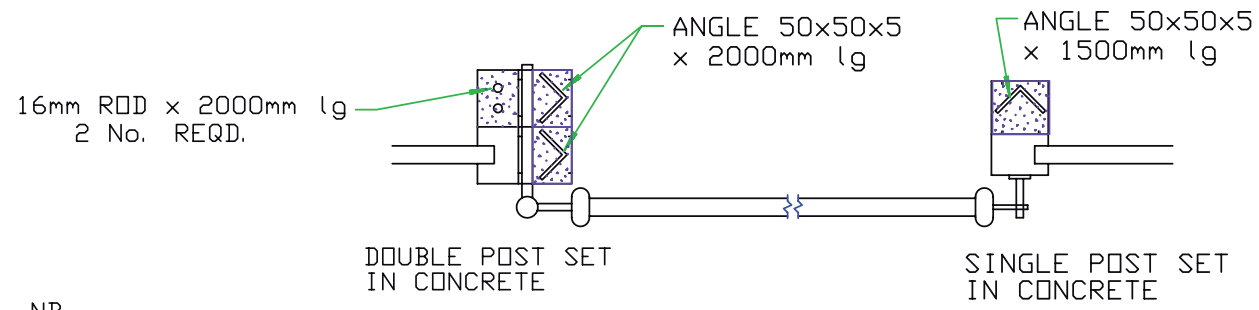


# Field gate installation guide



NB  
HANGING POST STEELS  
SHOULD BE FULL LENGTH  
IN POSTS AND CONCRETED  
TO THE TOP

EXTERNAL BRACE BARS MADE FROM  
50 x 5 FLAT BAR, GALVANIZED &  
POWDER COATED & RIVETED TO GATE RAILS

