

PRODUCT NAME

Oval rail (6 metre) T-Connectors

6m lengths x 1270mm high running rail

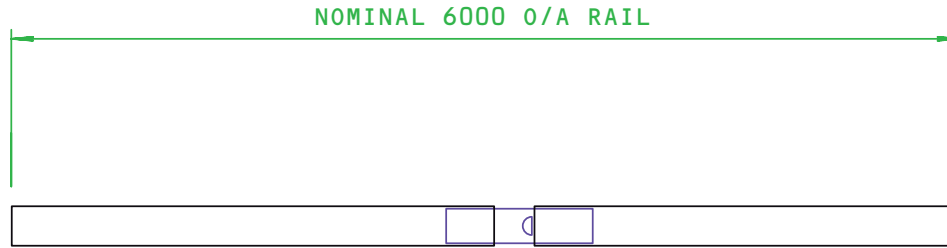
SIZE
Posts 108 x 50, Rails 108 x 50

PART NO.
R2

PAGE NO.
76F

© PROTECTED BY PATENT
May 2008 J.S

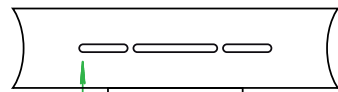
DURALOCK
PERFORMANCE FENCING



INCOMING RAIL

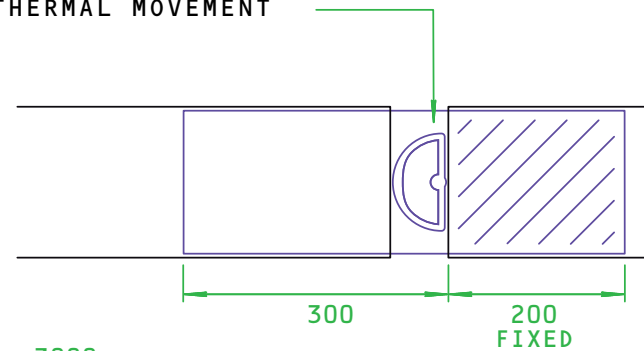
D-CLIP TO ALLOW
INSTALLATION TOLERANCE
AND THERMAL MOVEMENT

T-CONNECTOR - UNDERSIDE



END OF INCOMING RAIL
AND D-CLIP CONNECTOR
RAIL MUST LIE WITHIN
CENTRE OF VIEWING SLOT

RELEASE BUTTON



300

200
FIXED

VIEWING SLOT

3000

SWAN NECK CENTRES

3000

SWAN NECK CENTRES

380

HORIZONTAL FAIRING ENDS
ARE AVAILABLE FOR USE AT
ENDS OF RUNNING RAILS
(SEE PAGE 81)

1270

RELEASE
BUTTON