

PRODUCT NAME

Installation of 3 & 4 metre slip rails

Oval and round

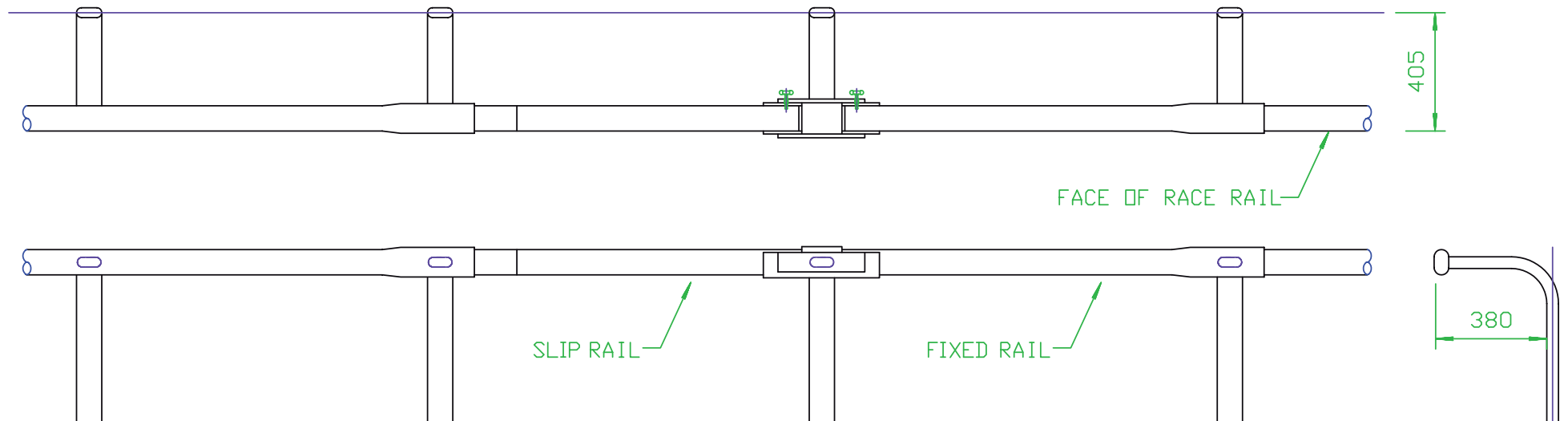
SIZE
Posts 108 x 50, Rails 108 x 50

PART NO.
R11

PAGE NO.
133B

© PROTECTED BY PATENT
Nov 2005 G.B.

DURALOCK
PERFORMANCE FENCING



1. Lay out all parts of race rail slip rail along race rail line.
2. Mark out.
3. Drive in left hand and right hand putlocks. Assemble swan-neck posts and receiving ends on to running rail.

Note.

Establish slip rail position first, then install running rail. Make adjustment to running rail to suit distance to next end.